
SIG 1227 LL

Low-voltage over-pressure longlife lamps for 10 V systems, road traffic



Areas of application

- Road traffic signalling systems

Product benefits

- Increased lamp life compared to existing low-voltage signal lamps
- Max. premature failure rate: 2 % up to 8,000 h (related to lamp failures only)
- Exchange of existing low-voltage high-pressure lamps possible without adjustment
- Retrofit for 230 V systems (replace lamp and reflector and install transformer)

Product features

- Maintenance intervals up to one year possible (depending on installation)

Product datasheet

Technical data

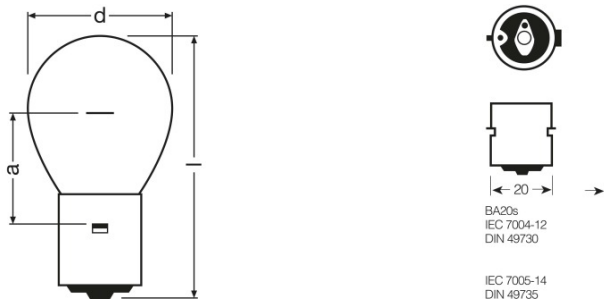
Electrical data

Nominal wattage	22.0 W
Nominal voltage	10.0 V
Test voltage	10.5 V

Photometrical data

Nominal luminous flux	270 lm
-----------------------	--------

Dimensions & weight



Diameter	36.0 mm
Overall length	67.0 mm
Light center length (LCL)	31.0 mm ¹⁾

¹⁾ Distance from the coil to the lug of base

Additional product data

Base (standard designation)	BA20s
-----------------------------	-------

Capabilities

Burning position	≤135 ¹⁾
------------------	--------------------

¹⁾ Lamps with transverse filament should be preferred inclined perpendicular to the filament plane / Only the permissible burning position may be used otherwise the lamp will fail prematurely

Country specific categorizations

Order reference	SIG 1227UELL CL
-----------------	-----------------

Country specific information

Product code	METEL-Code	SEG-No.	STK number	UK Org
--------------	------------	---------	------------	--------

Product datasheet

4008321037695	-	-	4730127	-
---------------	---	---	---------	---

Product datasheet

Safety advice

Use only in equipment/luminaires that are specially designed for the purpose.
Protect the lamps against moisture during operation and installation.



Logistical Data

Product code	Product description	Packaging unit (Pieces/Unit)	Dimensions (length x width x height)	Volume	Gross weight
4008321037695	SIG 1227 LL	Unpacked 1	43 mm x 27 mm x 31 mm	0.04 dm ³	19.67 g
4050300900179	SIG 1227 LL	Shipping carton box 200	433 mm x 287 mm x 279 mm	34.67 dm ³	4626.33 g

The mentioned product code describes the smallest quantity unit which can be ordered. One shipping unit can contain one or more single products. When placing an order, for the quantity please enter single or multiples of a shipping unit.

Disclaimer

Subject to change without notice. Errors and omission excepted. Always make sure to use the most recent release.