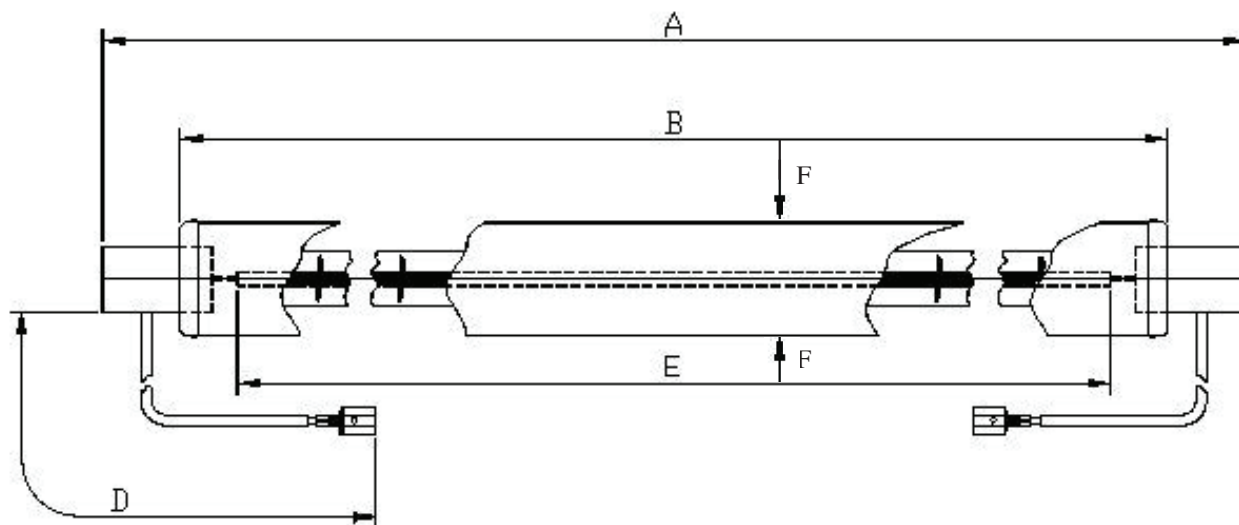




Code : 0033019

Ruby Red Jacketed



Dimensions

A	346±2	D	340±5
B	306 nom	E	270 Nom
F	20		

All dimensions in mm unless otherwise stated

Technical Data

Volts	235	Cap	Sk15
Watts	2000	Life	5000
Finish	Ruby jacket	Burning Position	Horizontal

Lead: PTFE insulated with silicon impregnated glass fibre sleeve with 6.3mm tab receptacle terminal.

APPLICATION : INFRARED HEATING

ATTENTION : Lamps must comply with the requirements of IEC 60357 , IEC 60432-3 and IEC 60598. The product must be used with suitable operating equipment and in accordance with the specified data.

Issued by : Marcom
Date : 27.05.2011
Revision Date :

DATA SHEET

Specification No.: 50 - 201 - 0033019
Supersedes :
Page 1 of 1