

UXR™ - 175BF

USHIO UXR™ Series

USHIO

Electrical characteristics (Initial)

Lamp power	175W
Operating Voltage*	12.5V
Rated lamp current	14A
Lamp current range	12.5~16A

*Operating current : 14A

Specifications

Arc gap [Non-operation]	1.1mm
Spectral type	Ozoneless
Window diameter	φ25.4
Reflector	Parabola
Rated lifetime*	500hours

*Visible output (5mm aperture) is reduced to 50% of the initial value.

Initial output* (representative values)

Radiant output	30W
Visible output	1900Lm
Visible output (5mm aperture)	950Lm
Color temperature	6100K

*Operating current : 14A

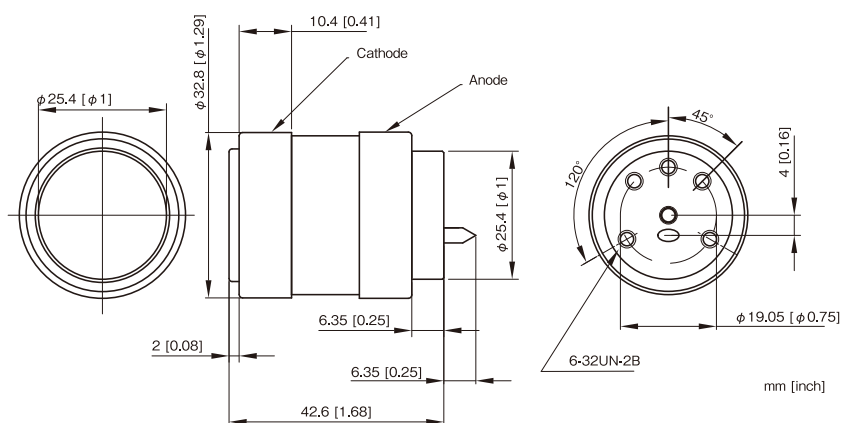
Operating condition (Power supply)

Power supply	Constant current control / Constant power control
Current Ripple (P-P)	Max 5%
Igniter voltage	Min AC23kV
Supply voltage	Min 140V

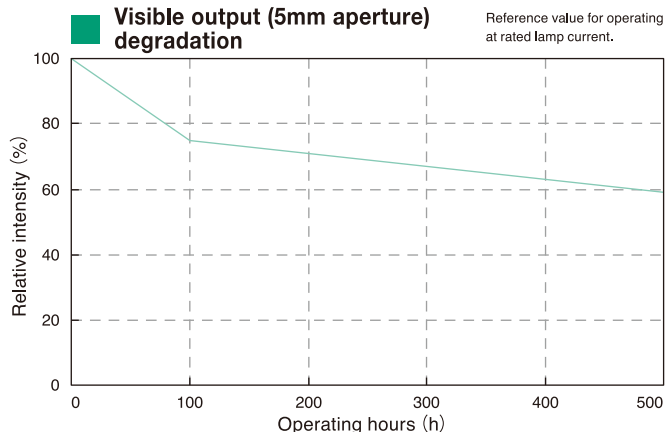
Operating condition (Lamp)

Operating direction	Horizontal direction	
Cooling	Ceramic body	Max 150°C
	Base	Max 200°C
Forced Cooling	Necessary	

Appearance

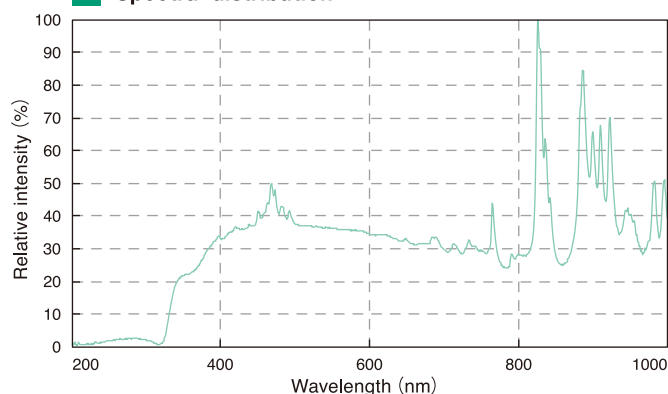


Visible output (5mm aperture) degradation



Reference value for operating at rated lamp current.

Spectral distribution



UXR™ - 175BF

USHIO UXR™ Series

Safety Instructions



WARNING

- High internal pressure exists in the lamp. Do not apply any excessive shock, stress, or scratch to the lamp while handling. Otherwise the lamp may burst resulting in catastrophic failure.
- Lamp should not be operated within 45° of vertical with the window up. Otherwise thermal stress can cause window failure.
- Turn off the power before inserting, removing or cleaning the lamp, otherwise it could cause electrical shock.
- High voltage is required for ignition. Do not touch the lamp nor heat sinks during operation, especially in the instant of ignition.
- Do not look directly at the operating lamp. Intense infrared and ultraviolet radiation generated by the lamp can cause skin burns and severe eye damage.



CAUTION

- High temperature is built up during operation. Do not touch the lamp during operation and for 10 minutes, at least, after turning off.
- Do not operate the lamp near flammable gas or chemicals.
- Attach heat sinks on both bases and apply forced air cooling. Apply heat conductive grease on both bases sufficiently to obtain appropriate cooling condition.
- Lamp must be fixed at the anode base only, leaving cathode base free. Otherwise mechanical and thermal stress may cause explosion. Read all equipment instructions as well.
- The filling tip on the anode base of a replaced lamp should be cut off in order to reduce the internal pressure of the lamp.

Important Operation Notes

- Correct polarity and burning position are critical.
- Lamp must be operated less than rated current.
- Window of the lamp should be free from bare hands or dust. In order to remove grease stains or dust, use alcohol soaked clothes.
- Replace the lamp at its life end, or when blackening becomes thicker or flickering of the output becomes severe.
- Remove the vinyl tube on the filling tip before installation.



Notice

Equipment shown in this catalog, any products using the equipment or technologies relating to the equipment fall under the category of security control relating to freight or technologies under the provisions of the Foreign Exchange and Foreign Trade Control Law. Permission needs to be obtained.

Contents

(1) UXR-175BF (2) Heat conductive grease (3) Certificate of Inspection

USHIO

USHIO AMERICA, INC.

5440 Cerritos Avenue, Cypress, CA 90630, U.S.A.
Tel.+1 714-236-8600 Fax.+1 714-229-3180
<http://www.ushio.com/>

USHIO EUROPE B.V.

Skypark, Breguetlaan 16-18, 1438 BC Oude Meer,
the Netherlands
Tel.+31 20-446-9333 Fax.+31 20-446-0360
<http://www.ushio.eu/>

USHIO ASIA PACIFIC PTE. LTD.

28 Genting Lane, #05-05, Platinum 28, Singapore 349585
Tel.+65 6274-5311 Fax.+65 6274-5300
<http://www.ushioasiapacific.com/>

USHIO KOREA, INC.

Seocho-dong, Deokheung Bldg, 14F, 363, Gangnam-daero,
Seocho-gu, Seoul, 137-858 Rep. of Korea
Tel.+82 2-587-1115 Fax.+82 2-587-1118
<http://www.ushio.co.kr/>

USHIO SHANGHAI, INC.

Hang Seng Bank Tower, 10/F, 1000 Lujiazui Ring Road,
Pudong New Area, Shanghai, 200120, P.R.C.
Tel.+86 21-6841-1135 Fax.+86 21-6841-1150
<http://www.ushio.com.cn/>

USHIO INC.

1-6-5 Marunouchi, Chiyoda-ku, Tokyo 100-8150
Tel.+81 3-5657-1014 Fax.+81 3-5657-1030
<http://www.ushio.co.jp/en/>

The contents of these specifications are current as of May 2016. Product specifications are subject to change without notice for purposes of improving quality or performance.